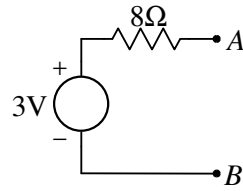
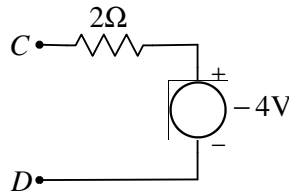


REŠENJA

2. a)  $U_{TEV1} = 3V$ ;  $R_{TEV1} = 8\Omega$ .



b)  $U_{TEV2} = -4V$ ;  $R_{TEV} = 2\Omega$ .

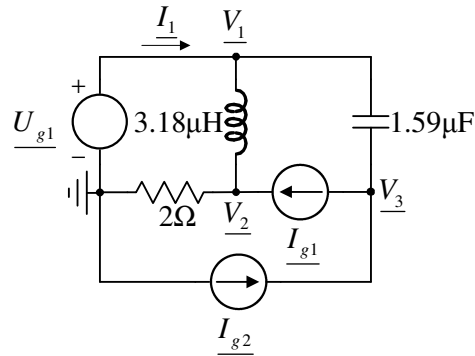


c)  $V_G = 5V$

4. a)  $\underline{V}_1 = 1 + j$

$\underline{V}_2 = \frac{4}{5}(3 + j)$

$\underline{V}_3 = 5 + 3j$



b)  $\underline{I}_1 = \frac{3}{5}(2 - j)$

$i_1(t) = 3\sqrt{\frac{2}{5}}A \cos(2\pi ft - 26,57^\circ) = 1,897A \cos(2\pi ft - 26,57^\circ)$

6. a)  $v_l = -v_G$

b)  $v_l = v_G$